



Brand of the Stars · Since 1949

2025



*Winter
Catalogue*



Since 1949 · Made in Spain



Your catalogue
always up to date



Index



01 Cookware

Cookware	4
Roasting pans · Oven	6



02 Utensils

Kitchen tools	7
Food processing	7
Measuring and weighing	9
Cutting	10



03 Table Top

Melamine	11
Coffee	12



04 Pastry-making

Pastry processing	13
-------------------	----



05 Restoration

Buffet	14
Transport and Shelves	17



06 Electric

Electric	18
----------	----



- Garinox Gastro cookware.
- The whole piece (body, handles and grips) is made of stainless steel.
- Thickness of 0,6mm.
- Thermo-diffuser bottom (stainless steel - aluminium - stainless steel).
- Lids designed for energy saving.
- Suitable for all types of cooking surfaces (including induction and oven).
- Maximum guarantee in terms of resistance, durability and hygiene.



Casserole without lid

Ref	Ø (cm)	h (cm)	L	Units
16020	20	9,0	2,75	1
16024	24	9,5	4,20	1
16028	28	11,0	6,70	1
16032	32	12,5	10,00	1
16036	36	14,5	14,70	1
16040	40	15,5	19,50	1



Deep casserole without lid

Ref	Ø (cm)	h (cm)	L	Units
16021	20	13,0	4,00	1
16025	24	15,0	6,70	1
16029	28	17,5	10,70	1
16033	32	18,0	14,50	1
16037	36	21,5	21,80	1
16041	40	24,5	30,70	1



Stock Pot without lid

Ref	Ø (cm)	h (cm)	L	Units
16120	20	20,0	6,2	1
16124	24	24,0	10,8	1
16128	28	25,5	15,5	1
16132	32	32,0	25,5	1
16136	36	36,0	36,5	1
16140	40	40,0	50,0	1



Saucepan

Ref	Ø (cm)	h (cm)	L	Units
16212	12	7,0	0,75	1
16214	14	7,5	1,00	1
16216	16	8,0	1,50	1
16218	18	8,0	2,00	1
16220	20	9,0	2,75	1
16224	24	9,5	4,20	1



Round dish without lid

Ref	Ø (cm)	h (cm)	L	Units
16624	24	6,5	2,8	1
16628	28	6,5	4,0	1
16632	32	7,0	5,5	1
16636	36	7,0	7,0	1
16640	40	8,0	10,0	1



Lid

Ref	Ø (cm)	Units
16920	20	1
16924	24	1
16928	28	1
16932	32	1
16936	36	1
16940	40	1

Caliza Collection



INOX
18/10



Sandwich

Induction

Vitro

Electric

Gas

Oven

Dishwasher

- Body made in 18/10 stainless steel.
- Handles, grips and knob in heat resistant bakelite.
- Exterior glossy, polished finish and sanded matte interior.
- Triple diffuser bottom assuring efficient distribution of heat.
- Suitable for all types of cooking surfaces (including induction).
- Dishwasher safe.



Casserole with lid

Ref	Ø (cm)	h(cm)	L	Units
80016	16	8,0	1,50	1
80018	18	8,5	2,00	1
80020	20	8,5	2,50	1
80022	22	9,0	3,00	1
80024	24	9,5	3,50	1
80026	26	9,5	4,50	1
80028	28	11,0	9,50	1



Stock pot with Lid

Ref	Ø (cm)	h(cm)	L	Units
80116	16	13,0	2,50	1
80118	18	14,0	3,50	1
80120	20	14,5	4,50	1
80122	22	14,5	5,50	1
80124	24	15,0	6,50	1
80126	26	15,0	7,50	1
80128	28	17,0	10,00	1



Saucepan

Ref	Ø (cm)	h(cm)	L	Units
80212	12	7,0	0,80	1
80214	14	7,5	1,00	1
80216	16	8,0	1,50	1
80218	18	8,5	2,00	1



Round dish with lid

Ref	Ø (cm)	h(cm)	L	Units
80624	24	7,0	3,00	1
80626	26	7,0	3,50	1
80628	28	8,0	4,50	1



Cylindrical pot

Ref	Ø (cm)	h(cm)	L	Units
80714	14	12,5	1,50	1
80716	16	13,0	2,50	1
80718	18	14,0	3,50	1



Lid

Ref	Ø (cm)	Units
80916	16	1
80918	18	1
80920	20	1
80922	22	1
80924	24	1
80926	26	1
80928	28	1

Basic Couscouser



INOX
18/10



Dishwasher



- Made of high quality 18/10 stainless steel.
- Satin interior and glossy exterior finish.
- Maximum guarantee in terms of resistance, durability and hygiene.
- Versatile: designed for cooking couscous and steamed food.
- Can also be used as a colander.
- Perforated bottom with Ø2.5 mm holes.
- Excellent heat absorption and heat distribution, providing perfect results while preserving the nutritional properties and natural flavour of the food.
- Ergonomically designed stainless steel handles with bright polished finish.
- Dishwasher safe.

Ref	Ø (cm)	h (cm)	Units
32520	20	8,5	1
32524	24	9,5	1

Rice launa

INOX

ACACIA
Wood



Oven



Dishwasher



- Composed of a high quality stainless steel tray and acacia wood base.
- The tray is designed for baking and barbecuing all types of rice, stews, meat and fish dishes.
- The acacia wood base is perfect for highlighting presentations on the table.
- Measurements of rice launa: 29,5x19,5x2 cm.
- Wooden base dimensions: 33x23x1,7 cm (not oven and dishwasher safe).
- Total dimensions: 33x23x3 cm

Ref	cm	h(cm)	Units
60830	33x23	3,0	1



Magma Collection

FE
Iron

FUNDIDO
Cast

ABEDUL
Birch



Induction



Vitro



Electric



Gas



Oven

220°C
Max



Dishwasher



ECO
PFOA free



- Oval tray with detachable handle made of high quality cast iron.
- Coated with a layer of vegetable oil.
- Natural wood base, designed for serving and presenting freshly cooked food.
- Fully versatile: designed for cooking all types of food, both indoors (induction, vitro, gas, oven) and outdoors (grills, barbecues, griddles).
- They heat up quickly, transmit and retain heat very well and withstand high temperatures.
- Easy to clean.

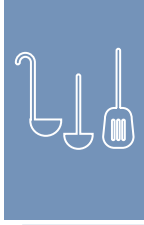
Oval tray with handle and base

Ref	cm	h (cm)	Units
25867	24x14	2,2	1

Removable handle



Aqua Garinox Collection



PP Polypropylene Dishwasher BPA free

garinox®

- Robust, high quality utensils.
- Made of high quality materials, 100% BPA free.
- Designed for use in non-stick cookware.
- Handle with hanging hole.
- Dishwasher safe and easy to clean.
- High temperature resistant.

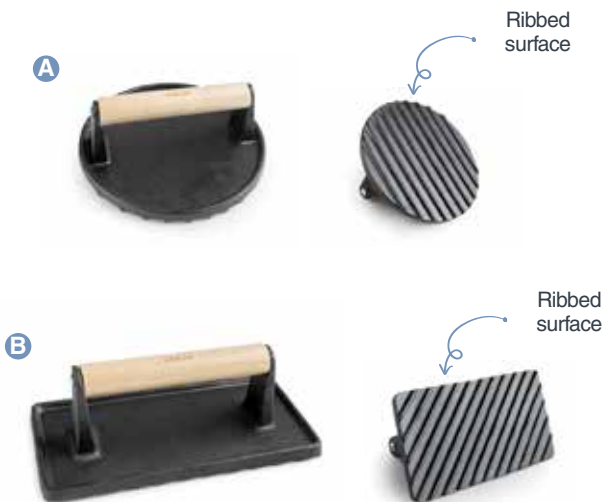


	Ref	cm	Units	
A	64480	32,5	1	Ladle
B	64481	33,5	1	Skimmer
C	64482	32,5	1	Perforated spatula
D	64483	32,5	1	Spoon
E	64484	29,5	1	Spaghetti server

Hamburger press



FE Iron FUNDIDO Cast ABEDUL Birch ECO PFOA free



- Meat press made of high quality cast iron. Resistant to high temperatures.
- Designed with a ribbed surface to give your meat, burgers, smash burgers, sandwiches, steaks, etc. perfect grill marks.
- Ergonomic natural wood handle for a comfortable, secure grip.

	Ref	cm	h(cm)	Units
A	25862	Ø17,5	8,0	1
B	25863	23x11	8,0	1

Stainless steel containers



INOX
18/10



- 18/10 stainless steel container suitable for the microwave.
- ClipLock System: the 4 clip locks hold the lid securely in place, ensuring water tightness.
- 100% leak-proof due to the removable silicone gasket in the lid.
- Lightweight and robust: perfect for storing food and taking it wherever you want to go.
- Hygienic and antibacterial: does not transmit odours or flavours.
- Microwave, oven (without lid), dishwasher, fridge and freezer safe container and lid.
- Stackable: space saving in the kitchen. Eco-friendly, reusable and BPA-free.

Ecoinox

Rectangular container



	Ref	ml	cm	h(cm)	Units
	64622	260	12,7x9	5,1	1
	64618	480	15,5x11,5	5,8	1
A	64610	800	18x13,5	7,0	1
	64611	1250	20,5x15,5	7,5	1
	64612	1800	23x17,5	8,0	1
B	64619	820	20x15	5,0	1

Ecoinox

Set with 3 containers



	Ref	ml	cm	h(cm)	Units
A	64623	260 (x3)	12,7x9	5,1	1
B	64617	800	18x13,5	7	1
		1200	20,5x15,5	7,5	
		1800	23x17,5	8	

Etern

Rectangular container



	Ref	ml	cm	h(cm)	Units
	64608	480	15,5x11,5	5,8	1
	64600	800	18x13,5	7,0	1
A	64601	1250	20,5x15,5	7,5	1
	64602	1800	23x17,5	8,0	1
B	64609	820	20x15	5,0	1

TwoGo

Container



Ref	cm	h (cm)	ml	Units
64620	21,7x16,6	5,5	450-280	1



Just bowl scale

INOX



- High precision digital scales with removable stainless steel bowl.
- Compact, stylish design.
- Capacity: 1.8 L.
- Large, easily readable LCD screen with TARE function.
- Low power and overload indication.
- Power-saving AUTO-OFF function.
- Weight units: g / lb:oz / water-ml / milk-ml / fl.oz
- Max weight: 5 kg / Division: 1 g.
- Power source: 2 x 1.5 V AAA batteries (included).
- Compact size for easy storage.



Ref	Weight (kg)	Division (g)	L	Units	Units
61727	5 max	1	1,8	g/lb/ml/fl.oz	1

Bathroom scale Silver



- High precision digital bathroom scale. Holds a maximum weight up to 180 kg with a sensitivity of 100 g graduation.
- Extra flat design.
- Weighing platform made of tempered safety glass with anti-slip matt coating with anti-fingerprint coating.
- Equipped with a high precision strain gauge sensor system.
- Large illuminated LCD display for easy measurement visibility.
- Automatic on/off function and overload and low battery indicator.
- 4 anti-slip feet with extra grip on the floor provide extra safety during use and prevent slipping.
- Battery: 2 x 1.5 V AAA batteries (included).

Tempered glass platform with anti-slip coating



Ref	cm	Weight (kg)	Division (g)	Units	Units
61743	28,5x28,5	180 max	100	kg/lb/st:lb	1



Cutting utensils

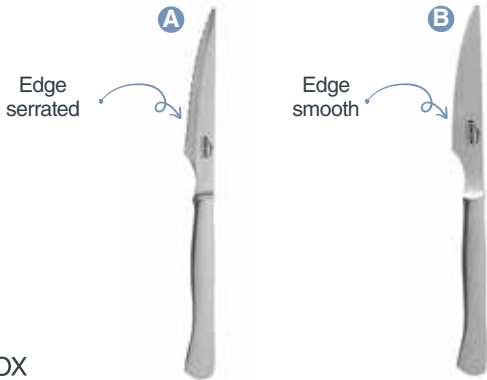


INOX HAYA
Wood

Conical grater

Ref	Ø (cm)	h (cm)	Units
61366	12	27	1

- Features 3 grating surfaces: fine, medium and thick.
- Grates all types of food easily and with minimal effort: cheese, vegetables, potatoes, chocolate, etc.
- Handle made of natural beech wood for a comfortable and firm grip.
- Non-slip base for maximum stability.



6
pcs

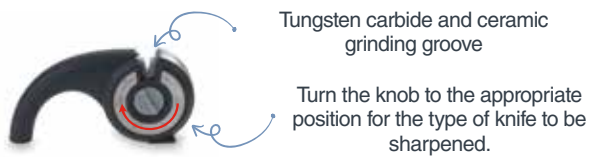
- Set of 6 micro serrated knives made in one piece of high quality stainless steel.
- It has a serrated edge and sharp point, ideal for cutting all types of food without any difficulty.
- Extremely strong and durable, perfect for daily use. Ergonomic handle that give a comfortable and safe grip.
- Measurements: 22 cm long
- blade size: 11 cm.



INOX

Knife set

	Ref	cm	Units
A	38241	22	1
B	38242	22	1



6 in 1

- High precision sharpener, specially designed to extend the life of knives and scissors.
- Fully versatile with 6 sharpening modes: coarse, medium, fine, scissors, sushi knives and bread knives.
- Easy to use: turn the knob to the appropriate position for the type of knife to be sharpened.
- Tungsten carbide and ceramic sharpening groove that reshapes, evenly sharpens and renews the cutting edge for better quality and longer life.
- Ergonomic handle and non-slip base for stability and safety.
- Robust and durable.
- Ambidextrous.

ABS Plastic CE Ceramic Carburu Tungsten carbide

Precision sharpener

Ref	cm	Units
39262	8,5x4,3x9,4	1



White & Black



- MF
Melamine
- Stackable
- Microwave
- Oven
- Dishwasher
- BPA free

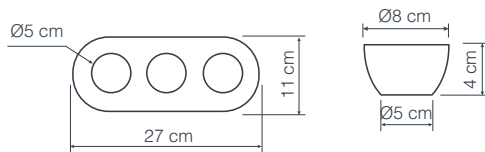


Bowl

	Ref	Ø (cm)	h (cm)	Units
A	63284	8	5,0	1
	63285	16	9,5	1
	63286	19	11,5	1
B	63404	8	5,0	1
	63405	16	9,5	1
	63406	19	11,5	1

Snack spoon

	Ref	cm	h (cm)	Units
A	63287	14,5x14,5	4,5	1
B	63407	14,5x14,5	4,5	1



3 bowls
120 ml (x3)

Tray with slits for bowls



Tray with 3 bowls

Ref	Ø (cm)	cm	h(cm)	ml	Units
63403	8	27x11	1,0	120 (x3)	1

Tray with 3 bowls Black

Ref	Ø (cm)	h(cm)	Units
63408	6	7	1

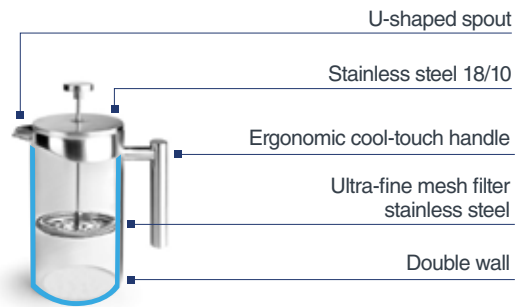


French Stainless Steel Coffee Maker

INOX
18/10



- Classic double-walled manual coffee maker made of high quality stainless steel.
- Its double wall insulates the heat and helps to preserve the temperature of the coffee or infusion for longer.
- Ultra-fine stainless steel mesh filter; ensures good texture and flavour.
- Ergonomic cool-touch handle and pour spout to prevent spillage.
- 1.0 L capacity, ideal for 8 cups.
- Practical and simple way to prepare the best coffees and infusions in just a few minutes.
- Easy to clean. Dishwasher safe.



8

Ref	L	Units
62141	1,0	1

Milk jug



- Ideal for bars, coffee shops, hotels, restaurants, homes, etc.
- Made of stainless steel of maximum quality, resistant and lasting.
- It can be used for both hot and cold liquids.
- Perfect to foam, heat and serve milk with tea or coffee.
- Pourweight mouthpiece to avoid dripping and a heat resistant handle.
- Designed to support high temperatures. Suitable for dishwasher.



INOX

Milk jug

	Ref	L	Units
A	58151	0,35	1
	58152	0,60	1
B	58251	0,35	1
	58252	0,60	1
C	58153	0,35	1
	58253	0,60	1



INOX
18/10

Barista milk jug

	Ref	L	Units
A	58050	0,50	1
B	58150	0,50	1
C	58250	0,50	1
D	58450	0,50	1



Baking torches

INOX 18/10   Dishwasher

- Torch for domestic and professional use.
- Elegant design, with butane gas cylinder body and metallic finish.
- Double flame for more power.
- Automatic ignition button by piezoelectric ignition.
- Adjustable flame intensity with non-return flame system.
- Ergonomic and easy to grip. Practical, safe and very easy to use.
- Safety locking system.
- Designed for caramelising the sugar in creams, gratins, toasts, etc.
- Supplied without gas.

- Professional butane gas torch head.
- Automatic instantaneous ignition by piezoelectric ignition.
- 360° system; allows use in any position and always with a constant flame.
- Adjustable flame; choose both size and intensity.
- Ergonomic design and easy grip. Practical, safe and very easy to use.
- Prepared for caramelising the sugar in creams, gratins, toasts, etc.
- Safety locking system.
- Compatible with all universal butane gas refills.
- The torch fits easily and securely to the gas cartridge.



Piezoelectric self-ignition



Adjustable flame regulator



Double continuous flame



Security lock



Blow torch

Ref	Capacity	Units
68898	18,5 ml	1



Piezoelectric self-ignition



Adjustable flame regulator



Flame continued



Security lock

360°



Blow torch head

Ref	W	Consumption (g/h)	Units
68899	1,5 Kw	105	1

Nord Buffet Collection



- A modern collection designed for buffets including stands, boxes and trays.
- It combines high quality materials such as acacia, slate, melamine and iron.
- Stackable boxes and trays made in gastronorm sizes.
- Its modular system allows for unique presentations.
- Its design facilitates the creation of various combinations, with the possibility of expanding them as required for each occasion.
- Compact and functional, it optimises space while ensuring an attractive and elegant presentation.
- All wooden components are treated to resist humidity and are suitable for contact with food.
- Compatible with our GN trays.



Room Service Tray

Ref	cm	h (cm)	Units
67953	45x35	6	1



Box Cutlery

Ref	cm	Units
67951	53x32,5	1



Cutlery tray

Ref	cm	h (cm)	Units
67952	45x35	6	1



Box GN 1/1

Ref	Medidas	h (cm)	Units
67914	53x32,5cm	4,5	1
67918	53x32,5cm	8,5	1
67916	53x32,5cm	16,5	1



Box GN 1/2

Ref	Medidas	h (cm)	Units
67924	26,5x32,5cm	4,5	1
67928	26,5x32,5cm	8,5	1
67926	26,5x32,5cm	16,5	1



Box GN 1/3

Ref	Medidas	h (cm)	Units
67934	32,5x17,6x6cm	4,5	1
67938	32,5x17,6x6cm	8,5	1



Box GN 2/4

Ref	Medidas	h (cm)	Units
67944	53x16,2cm	4,5	1
67948	53x16,2cm	8,5	1



FE
Iron

Straight support

Ref	cm	Units
67920	32,5x26,5 (GN 1/2)	1
67910	53x32,5 (GN 1/1)	1



FE
Iron

Tilted support

Ref	cm	Units
67921	32,5x26,5 (GN 1/2)	1
67911	53x32,5 (GN 1/1)	1



MF
Melamine

White melamine marble tray

Ref	cm	Units
63076	32,5x17,6 (GN 1/3)	1
63077	32,5x26,5 (GN 1/2)	1
63079	53x16,5 (GN 2/4)	1
63078	53x32,5 (GN 1/1)	1



MF
Melamine

Black melamine marble tray

Ref	cm	Units
63096	32,5x17,6 (GN 1/3)	1
63097	32,5x26,5 (GN 1/2)	1
63099	53x16,5 (GN 2/4)	1
63098	53x32,5 (GN 1/1)	1



100%
Pizarra-Slate

Slate tray

Ref	cm	Units
61223	32,5x17,6 (GN 1/3)	1
61222	32,5x26,5 (GN 1/2)	1
61224	53x16,5 (GN 2/4)	1
61221	53x32,5 (GN 1/1)	1

Chafing dish



- Elegant, practical and functional design.
- Made of high quality stainless steel.
- Housing made of polypropylene (69680).
- Digital control panel for monitoring the actual and set temperature (adjustable from 20°C to 80°C).
- Stainless steel lid with central opening and hole to support the ladle (69680).
- Its tempered glass lid with SoftClosing system includes a thermally insulated handle (69681-69682).
- Bowl and lid made of stainless steel, fully removable to ensure convenient filling and easy cleaning (69680).
- Includes a large capacity removable bowl (GN 1/1) made of stainless steel (69681).
- Includes a large capacity removable bowl (GN 2/3) made of stainless steel (69682).
- Lightweight and easy to transport.
- Non-slip rubber feet for greater stability.



Chafing Dish Soup

Ref	W	L	h(cm)	Temperature range	Units
69680	400	3,2	35	20°C - 80°C	1



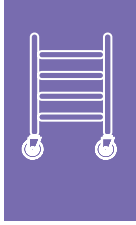
Chafing Dish GN 1/1

Ref	W	L	h(cm)	Temperature range	Units
69681	600	6,0	20	20°C-80°C	1

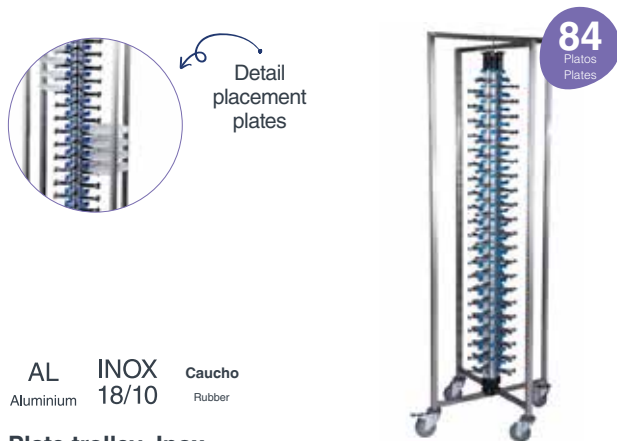
Chafing Dish GN 2/3

Ref	W	L	h (cm)	Temperature range	Units
69682	600	4,0	20	20°C - 80°C	1

Trolleys



- Ideal for the catering, restaurants, bars, kitchens, catering, hotels, etc.
- Efficient and practical solution for the plating process.
- Versatile; its fastening system allows to adapt different sizes and shapes.
- Compatible plates from $\varnothing 15$ - $\varnothing 32$ cm. Trays up to 32 cm in length.
- Extremely firm clamping system prevents slipping and breakage.
- Stacks easily and comfortably a large number of plates. Capacity for 84 plates.
- Iron structure with black painted finish.
- Intermediate support for better handling and transport.
- Easy to transport. 4 swivel wheels, 2 of them with brakes.
- Supplied disassembled.

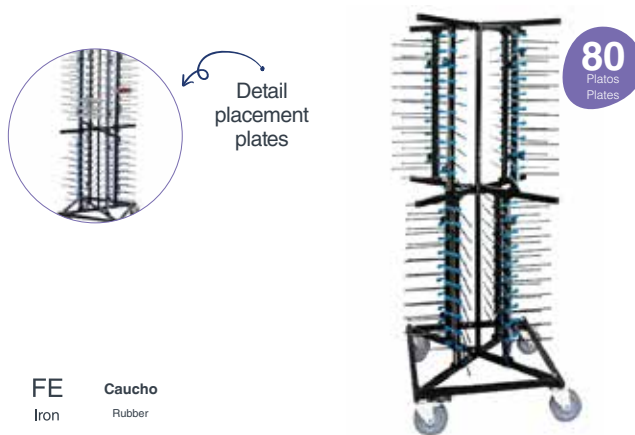


AL INOX
Aluminium 18/10 Caucho
Rubber

Plate trolley Inox

Ref	cm	Capacity	Units
66552	73x73x191	84 platos	1

- Ideal for the catering, restaurants, bars, kitchens, catering, hotels, etc.
- Efficient and practical solution for the plating process.
- Versatile; its fastening system allows to adapt different sizes and shapes.
- Compatible plates from $\varnothing 15$ - $\varnothing 32$ cm. Trays up to 32 cm in length.
- Extremely firm clamping system prevents slipping and breakage.
- Stacks easily and comfortably a large number of plates. Capacity for 80 plates.
- Iron structure with black painted finish.
- Intermediate support for better handling and transport.
- Easy to transport. 4 swivel wheels, 2 of them with brakes.
- Supplied disassembled.

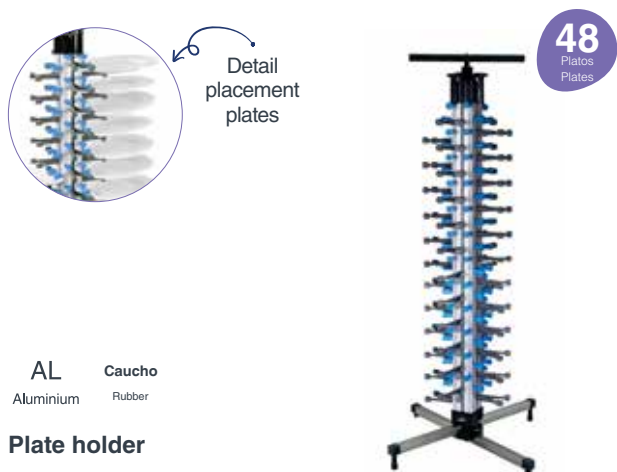


FE Caucho
Iron Rubber

Plate trolley

Ref	cm	Capacity	Units
66551	58x58x174,5	80 platos	1

- Ideal for catering, restaurants, bars, kitchens, catering, hotels, etc.
- Efficient and practical solution for the plating process.
- Solid base that ensures the stability of the support, avoiding falls and ensuring safe handling of the plates.
- Independently adjustable on each column, to adjust to the height of the plate, achieving a perfect hold.
- Easy to transport.
- Compatible plates from $\varnothing 10$ - $\varnothing 32$ cm. Trays up to 32 cm in length.
- Allows a large number of plates to be stacked easily and conveniently.
- Capacity for 48 plates.
- Supplied disassembled.

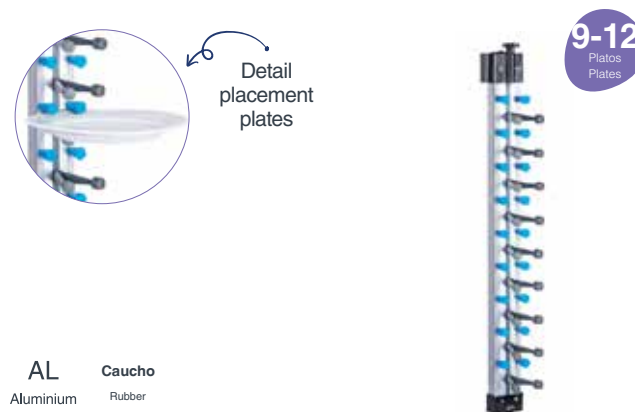


AL Caucho
Aluminium Rubber

Plate holder

Ref	cm	Capacity	Units
66553	55x55x113	48 platos	1

- Ideal for catering, restaurants, bars, kitchens, catering, hotels, etc.
- Efficient and practical solution for the plating process.
- Stable and safe. Space saving.
- Height adjustment of plates by means of screw top adjuster.
- Extremely firm fixing to prevent slipping and breakage.
- Wall mounting by means of screws (included), allowing optimum use of space.
- Compatible plates from $\varnothing 10$ - $\varnothing 32$ cm. Trays up to 32 cm long.
- Capacity for 9 plates.



AL Caucho
Aluminium Rubber

Wall plate holder

Ref	cm	Capacity	Units
66556	12x10x81	9 platos	1
66557	12x10x101,5	12 platos	1

Intact electric deep fryer



- Electric fryer made of stainless steel.
- Ideal for frying a wide variety of fried food, potatoes, wings, etc.
- Fast and efficient heating: Perfect results in a very short time thanks to its v W power.
- Large capacity: 4.2 L removable bowl with capacity markings.
- Adjustable temperature up to 190°C.
- Timer: Pre-set the desired frying time.
- Maximum control: Lid with window to control frying and avoid splashing. It has an anti-odour filter that prevents the smell of oil once cooked.
- Pan with heat-resistant handle with fixing system to drain the oil in the pan.
- Fully removable for easy cleaning.

Constant temperature

The temperature control probe keeps the oil temperature constant at the preset value.



Overheating protection

A temperature control probe ensures that the oil temperature does not exceed the preset limit.

Ref	W	L	Temperature	Units
69447	3270	4,2	190° max	1

Vue electric deep fryer



- Electric fryer with compact design made of stainless steel.
- Ideal for frying a wide variety of fried foods, potatoes, wings, etc. Get crispy on the outside and juicy on the inside.
- Fast and efficient heating: Perfect results in a very short time thanks to its 1600W power.
- 2.50 L inner pan with capacity markings and 100% PFOA-free non-stick coating.
- Adjustable temperature up to 190°C.
- Timer: Pre-sets the desired frying time up to 30min.
- Maximum control: Lid with window to control frying and avoid splashing. It has an anti-odour filter that prevents the smell of oil once cooked.
- Basket with folding handle with opening and closing lock and basket fixing system to drain the oil

Ref	W	L	Temperature	Units
69448	1600	2,5	190° max	1



Sabore automatic coffee machine



- Compact superautomatic coffee machine designed for lovers of freshly ground coffee.
- Enjoy freshly brewed coffee with ground beans.
- The amount of coffee can be adjusted for each of the 3 functions.
- Adjustable conical grinder: 15 grinding levels. Adjust the grind to your taste.
- Large capacity: Up to 180 grams of coffee and 1.5L water tank.
- ThermoBlock heating: Ultra-fast electric water heating system. Enjoy freshly ground coffee instantly.
- Double coffee spout adjustable in height from 8.5 cm to 11.5 cm.
- AutoClean System: Automatic cleaning system.
- Fully accessible grinder and waste container: easy to clean.
- Includes frother for heating and frothing milk or heating water for infusions.
- Intuitive touch screen



Heating
ThermoBlock



15 grinding
levels



AutoClean
system



Includes
steamer

Ref	W	Capacity	Container capacity	Pressure	Measures	Units
69435	1350	1,5L	180g	20 bar	44x19x32 cm	1

Sous Vide Master



- Housing made of 18/10 stainless steel.
- Strong, robust and durable, it guarantees professional performance.
- Designed for professionals; especially for use in restaurants, bars, hotels, etc.
- High efficiency and maximum precision: guarantees exceptional results in every dish.
- Precise temperature control: The flow rate of the water pump makes it possible to heat containers of up to 80 litres, achieving a uniform temperature throughout the entire area. This preserves the qualities of the product and enhances its flavour and texture.
- Intuitive interface.
- Low water level alarm and automatic shut-off.
- Portable, compact and easy to transport.
- Clamp suitable for any container.
- Maximum waterproofness thanks to its IPX7 system.



Precise temperature control

The flow rate of the water pump allows the heating of containers up to 80 litres in size with a uniform temperature over the whole area.

Ref	W	Pump flow rate	Temperature	Capacity	Time	Units
69592	2300	10 L/min	5°C-95°C	80L	99 h	1



Brand of the Stars · Since 1949

Lacor Menaje Profesional, S.L.
Bº San Juan, s/n -Apdo. 18
20570 Bergara (Gipuzkoa), Spain
Tel.: (Nacional) 943-76-90-30
Tel.: (Export) +34 943-76-91-74
comercial@lacor.es / export@lacor.es
Grupo Marcos Larrañaga y Cia



www.lacor.es